



FLOW MONO

(EasyHopper)

(Art : 270 - 000 x x)

Status

| | |
|--------------------------------|--------------------------------|
| <input type="checkbox"/> Quote | <input type="checkbox"/> Order |
| | |

| | |
|------|--|
| Date | |
|------|--|

Dealer information

| | |
|-------------------|--|
| Name | |
| Street | |
| Postal code/ City | |
| Contact person | |
| E-mail | |
| Phone | |
| Fax | |

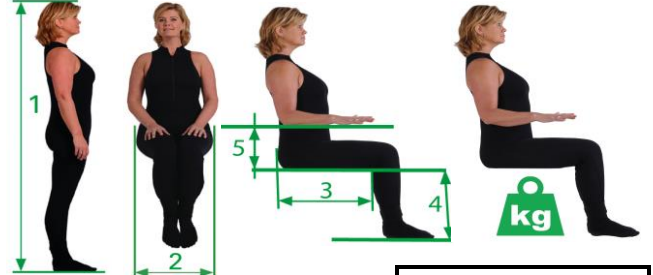
Afleveradres



| | |
|-------------------|--|
| Name | |
| Street | |
| Postal code/ City | |
| Contact person | |

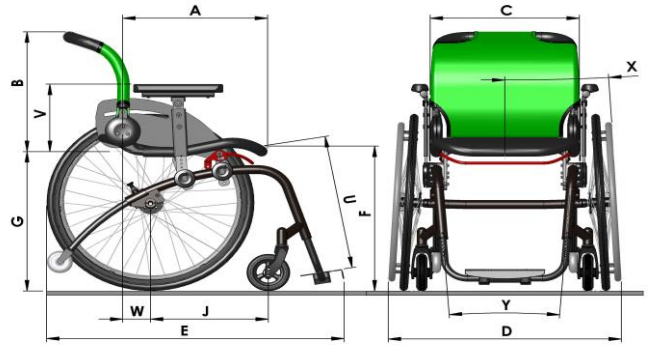
User information

| | | |
|---------------------------|--|--|
| Name | | Mandatory information to ensure correct configuration |
| Age | | |
| Weight | | |
| 1) Standing height - cm | | |
| 2) Hip width sitting - cm | | |
| 3) Upper leg length - cm | | |
| 4) Lower leg length - cm | | |
| 5) Elbow height - cm | | |



Preferred setting

| | | |
|----------------------------|--|---------------|
| Front seat height (F) - cm | | Standard = 53 |
| Back seat height (G) - cm | | Standard = 49 |
| Wheelbalance (W) - cm | | Standard = 8 |



| | | |
|------------------|----------|--------------|
| Baseprice | € | 2.819 |
| Ex. VAT | | |

Information of the wheelchair Adjustments

| |
|--|
| |
| |
| |
| |
| |
| |
| |
| |
| |
| |
| |
| |



| | |
|-----------------------------|---|
| Additional cost options | € |
| Additional cost adjustments | € |
| | |
| Price Exclusive VAT | € |
| | |
| Packaging and transport | |

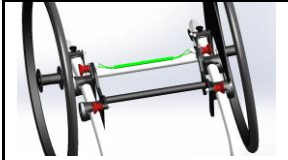

The Flow Mono is not suitable for use with handbike, freewheel or other external aids

All our deliveries are subject to the General Conditions for the Supply of Mechanical, Electrical and Electronic Products (Orgalime S2000) as published by the Orgalime, The European Engineering Industries Association. Order form January 2014 (Specifications are subject to change without notice)
 O4 Wheelchairs Markenweg 9, 7051 HS Varsseveld, The Netherlands, Phone: +31 (0) 315 396 900 E: info@o4wheelchairs.com I: www.o4wheelchairs.com

Version

| | | | |
|--------------------------|---|--------------------------|---|
| <input type="checkbox"/> |  | <input type="checkbox"/> |  |
| | Original Seat angle not adjustable back angle fixed in conjunction with basic backrest hinge adjustable in combination with RCA 1.0 or 1.5 backresthinge For an active sitting position | | Active (WorkHopper) Seat angle and backrest angle adjustable only in combination with the RCA 1.0 or RCA1.5 backrest hinge For an Active sitting position |
| | Heavy Duty version max 150 kg | | Not available in a Heavy Duty version |
| | Default | | € 1.569 |
| | | | Art : 131-000 X X |




Removable seat unit

| | |
|--|---|
|  |  |
| Removable seat unit *only available in Original version | |
| € 586 | |
| Art : 800-40129 | |

Seat Width (C)

| | | | | | | | | | | | | | | | |
|--------------------------|-----------------|--------------------------|-----------------|--------------------------|-----------------|--------------------------|-----------------|--------------------------|-----------------|--------------------------|-----------------|--------------------------|-----------------|--------------------------|-----------------|
| <input type="checkbox"/> | 34cm | <input type="checkbox"/> | 36,5cm | <input type="checkbox"/> | 39cm | <input type="checkbox"/> | 41,5cm | <input type="checkbox"/> | 44cm | <input type="checkbox"/> | 46,5cm | <input type="checkbox"/> | 49cm | <input type="checkbox"/> | 51,5cm |
| | Default | | Default | | Default | | Default | | Default | | Default | | Default | | Default |
| | Art : 800-40134 | | Art : 800-40136 | | Art : 800-40139 | | Art : 800-40141 | | Art : 800-40144 | | Art : 800-40146 | | Art : 800-40149 | | Art : 800-40151 |
| <input type="checkbox"/> | 29cm | <input type="checkbox"/> | 31,5cm | | | | | <input type="checkbox"/> | 54cm | <input type="checkbox"/> | 56,5cm | | | <input type="checkbox"/> | 59cm |
| | Upon request | | Upon request | | | | | | Upon request | | Upon request | | | | Upon request |
| | Art : 800-40129 | | Art : 800-40131 | | | | | | Art : 800-40154 | | Art : 800-40156 | | | | Art : 800-40159 |


Frame shape (Y)

| | | | | | |
|--------------------------|---|--------------------------|---|--------------------------|---|
| <input type="checkbox"/> |  | <input type="checkbox"/> |  | <input type="checkbox"/> |  |
| | U-shape | | V8 | | Abduction |
| | Standaard | | € 208 | | € 421 |
| | Foot space = seat width - 10 cm | | "Available from seat width 39cm Foot space = seat width - 15cm" | | Foot space = seat width - 5cm |
| | Art : 800-40210 | | Art : 800-40220 | | Art : 800-40200 |

Frame length (J)

| | | | | | |
|--------------------------|--|--------------------------|---------------------------------------|--------------------------|-------------------------------------|
| <input type="checkbox"/> | 34cm | <input type="checkbox"/> | 40cm | <input type="checkbox"/> | 45cm |
| | Recommended seat depth 37,5 - 42,5 cm | | Recommended seat depth 42,5 - 50cm | | Recommended seat depth 45 - 50cm |
| | Art : 800-40034 | | Art : 800-40040 | | Art : 800-40045 |





Frame colour

| | | | |
|--------------------------|---|--------------------------|--|
| <input type="checkbox"/> | matt Black RAL 9005 | <input type="checkbox"/> | Speciaal - Uni |
| | Default | | € 277 |
| |  | | Specify desired RAL color at www.ralkleuren.com |
| | Art : 800-40340 | | Art : 800-40350 |


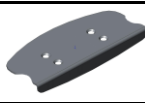

Camber (X)

| | | | | | |
|--------------------------|-----------------|--------------------------|-----------------|--------------------------|-----------------|
| <input type="checkbox"/> | 0° | <input type="checkbox"/> | 3° | <input type="checkbox"/> | 6° |
| | Default | | € 54 | | € 80 |
| | Art : 800-40400 | | Art : 800-40403 | | Art : 800-40406 |

Footrest (U)

| Lower leg length adjustment range (at lowest front seat height of 47 cm with 24-inch drive wheels) | | | | | | |
|---|---|--------------------------|---|--------------------------|---|---|
| <input type="checkbox"/> |  | <input type="checkbox"/> |  | <input type="checkbox"/> |  |  |
| | Curved | | Rectangular | | Foldable 1 piece | |
| | | | | | | |
| | | | | | "Foot space : minimum 24cm U-shape : from seat width 39cm V8 : from seat width 44cm | |
| | Default | | Default | | € 250 | |
| | Art : 200 - 38100 | | Art : 200 - 38200 | | Art : 200 - 38300 | |



Footplate

| | | | | | | | | | |
|--------------------------|---|--------------------------|---|--------------------------|---|--------------------------|--------------------------------|--------------------------|--------------------|
| <input type="checkbox"/> |  | <input type="checkbox"/> |  | <input type="checkbox"/> |  | <input type="checkbox"/> | Costume made | <input type="checkbox"/> | Costume made |
| | Default (23 x 12cm) Aluminum | | Wide (29 x 12cm) Aluminum | | Deep (23 x 19cm) Aluminum | | Aluminum | | Synthetic |
| | | | U-shape: from seat width 39cm V8: from seat width 44cm | | | | Commissioned following drawing | | |
| | Default | | € 102 | | € 102 | | Upon request | | |
| | Art : 800 - 38009 | | Art : 800 - 38010 | | Art : 800 - 38040 | | Art : 800 - 3801 x | | Art : 800 - 3802 x |




Seat depth

| | | | | | | | | | | | |
|--------------------------|-----------------|--------------------------|-----------------|--------------------------|-----------------|--------------------------|-----------------|--------------------------|-----------------|--------------------------|--------------------------------|
| <input type="checkbox"/> | 37,5cm | <input type="checkbox"/> | 40cm | <input type="checkbox"/> | 42,5cm | <input type="checkbox"/> | 45cm | <input type="checkbox"/> | 47,5cm | <input type="checkbox"/> | 50cm |
| | | | | | | | | | | | Not in combination with RCA1.5 |
| | Art : 800-40537 | | Art : 800-40540 | | Art : 800-40542 | | Art : 800-40545 | | Art : 800-40547 | | Art : 800-40550 |

Seating

| | | | |
|--------------------------|---|--------------------------|---|
| <input type="checkbox"/> |  | <input type="checkbox"/> |  |
| | Flat seat, expended metal, not in combination with RCA 1.0. For inlaycushion | | Ergonomic contour seat cushion, padded |
| | € 373 | | € 628 |
| | Art : 100-142 x x | | Art : 100-122 x x |




Backrest hinge

| | | | | | |
|--------------------------|---|--------------------------|--|--------------------------|---|
| <input type="checkbox"/> |  | <input type="checkbox"/> |  | <input type="checkbox"/> |  |
| | Basis | | RCA 1.0 | | RCA 1.5 i.c.m. external cushion |
| | Back Foldable back angle mechanically adjustable | | Backrest-hinge centered | | Backrest-hinge 2,5 cm rearpositioned |
| | (adjustment range 85 to 115 °) | | By user manually per 3 ° adjustable (adjustment range 0 - 85 to 115 °) RCA = Remote Continuous Adjustable | | |
| | Standaard | | € 984 | | € 984 |
| | Art : 100-38000 | | Art : 100-32000 | | Art : 100-36000 |





Positie RCA Backrest hinge

| | | | |
|--------------------------|-------------------|--------------------------|--------------------|
| <input type="checkbox"/> | Left on the frame | <input type="checkbox"/> | Right on the frame |
| | Art : 100-51030 | | Art : 100-51040 |





Backrest shape

| | | |
|--|---|---|
| <input type="checkbox"/> | <input type="checkbox"/> | <input type="checkbox"/> |
|  |  |  |
| Straight | Ergonomic, anatomic backrest height from 40cm | Backrest for women, ergonomic, anatomic backrest height from 40cm |
| Standaard | € 474 | € 612 |
| Art : 100-225 x x | Art : 100-200 x x | Art : 100-220 x x |

Backrest height

| | | | |
|---|---|---|---|
| <input type="checkbox"/> | <input type="checkbox"/> | <input type="checkbox"/> | <input type="checkbox"/> |
|  |  |  |  |
| Height 35cm | Height 40cm | Height 45cm | Height 50cm |
| Art : 800-42135 | Art : 800-42140 | Art : 800-42145 | Art : 800-42150 |

Kleur rughoes




| | | | | | |
|---|---|---|---|---|---------------------------|
| <input type="checkbox"/> | <input type="checkbox"/> | <input type="checkbox"/> | <input type="checkbox"/> | <input type="checkbox"/> | <input type="checkbox"/> |
|  |  |  |  |  | Reservehoes rugleuning |
| Red | Black | Dark blue | Yellow | BlueGreen | Color: |
| Default | Default | Default | Default | Default | € 102 |
| Art : 100-401 x x | Art : 100-402 x x | Art : 100-405 x x | Art : 100-407 x x | Art : 100-408 x x | Art : 100-40x x x |

Wheel diameter

For possible seating heights, we refer to our technical measuring sheet

| | | |
|--------------------------|--------------------------|--------------------------|
| <input type="checkbox"/> | <input type="checkbox"/> | <input type="checkbox"/> |
| 24" + 1 - (25-54) | 25" | 26" + 2 - (25 - 59) |
| Default | € 128 | € 128 |
| Art : 800-41024 | Art : 800-41025 | Art : 800-41026 |


Rear wheel (set, with Quick Release)

| | | | |
|---|--|---|------------------------------------|
| Set <input type="checkbox"/> | Set <input type="checkbox"/> | Set <input type="checkbox"/> | <input type="checkbox"/> |
|  |  |  | Lichtgewicht Spinergy-wielen - Set |
| | Rear wheel with drumbrake (with black rim) only in 24", push handle recommended | Reinforced | |
| Standaard | € 1.197 | € 395 | upon request |
| Art : 800-41024 | Art : 991 - 42 x x x | Art : 991 - 2 X 202 | Art : 991 - 43 x x x |

Éénhandaandrijving

| | | |
|---|---|--|
| Drive Left <input type="checkbox"/> |  | Drive Right <input type="checkbox"/> |
| One hand drive seat height 2 cm higher (front and back) not possible with 6° camber, only in 24" | | |
| € 1.772 | | |
| Art : 991 - 41 x x x | | |

Rear tire

| | | | | |
|--|---|---|---|---|
| <input type="checkbox"/> | <input type="checkbox"/> | <input type="checkbox"/> | <input type="checkbox"/> | <input type="checkbox"/> |
|  |  |  |  |  |
| Schwalbe Marathon Plus Evolution - or conceivably good quality | Solid - PU | Schwalbe Right Run Red | Schwalbe Right Run Blue | Schwalbe Right Run Gray |
| Default | € 91 | € 0 | € 0 | € 0 |
| Art : 991-67 x 01 | Art : 991-67 x 11 | Art : 991-67 X 21 | Art : 991-67 X 22 | Art : 991-67 X 23 |

| | |
|---------------------------------------|-----------------------------------|
| <input type="checkbox"/> Alber drives | |
| <input type="checkbox"/> E-Fix E35 | <input type="checkbox"/> E-Motion |
| O4 Frame adaptation - € 112 | |
| Delivered by dealer | |

Handrim (set)

| | | | | | | |
|--------------------------|--------------------------|--------------------------|--------------------------|--------------------------|--------------------------|---------------------------|
| <input type="checkbox"/> | <input type="checkbox"/> | <input type="checkbox"/> | <input type="checkbox"/> | <input type="checkbox"/> | CarboLife | |
| | | | | | <input type="checkbox"/> | <input type="checkbox"/> |
| Aluminum | TETRA | PARA | ERGO | Stainless steel | Gekko (each) | Curve L Tetra Grip (each) |
| Standaard | € 458 | € 458 | € 500 | € 261 | € 266,00 | € 266,00 |
| | Handrim with extra gripp | Handrim with extra gripp | Handrim with extra gripp | | | |
| Art : 800-62x11 | Art : 800-62x01 | Art : 800-62x02 | Art : 800-62x03 | Art : 800-62x12 | Art : 991 : 624xx | Art : 991 : 624xx |

Spoke guard (set)

| | | | |
|---------------------------------|---------------------|---------------------------------|---------------------|
| Set <input type="checkbox"/> | | Set <input type="checkbox"/> | |
| | Transparant | | O4-logo |
| | € 208 | | € 187 |
| | Art : 991 - 60 x 01 | | Art : 991 - 60 x 02 |

Breaks

| | | | | | | | | | | | |
|---------------------------|-----------------|---------------------------|--------------------------|--------------------------|-----------------|-------|--------------------------|--------------------------|------|-------|--------------------------|
| <input type="checkbox"/> | Left | Right | <input type="checkbox"/> | <input type="checkbox"/> | Left | Right | <input type="checkbox"/> | <input type="checkbox"/> | Left | Right | <input type="checkbox"/> |
| | | | | | | | | | | | |
| Pull brake (pull to lock) | | Push brake (push to lock) | | Active brake | | | | | | | |
| Default | | Default | | € 165 | | € 165 | | | | | |
| Art : 800-47103 | Art : 800-47203 | Art : 800-47104 | Art : 800-47204 | Art : 800-47106 | Art : 800-47206 | | | | | | |

| | | | | | | | |
|---|-------------------|-------------------------------------|--------------------------|--------------------------|------|-------|--------------------------|
| <input type="checkbox"/> | Left | Right | <input type="checkbox"/> | <input type="checkbox"/> | Left | Right | <input type="checkbox"/> |
| | | | | | | | |
| Long push brake, folding (push to lock) | | One-hand wheel brake (push to lock) | | | | | |
| € 80 | | € 80 | | € 399 | | | |
| Art : 800 - 07105 | Art : 800 - 07205 | | | Art : 800-47110 | | | |

Castor wheels (Set)




For possible seating heights, we refer to our technical measuring sheet

| | | |
|--------------------------|--------------------------|--------------------------|
| <input type="checkbox"/> | <input type="checkbox"/> | <input type="checkbox"/> |
| | | |
| Soft 4" Synthetic | Hard 4" Synthetic | Hard 4" Aluminum |
| € 59 | € 70 | € 155 |
| Art : 800 - 04001 | Art : 800 - 04002 | Art : 800 - 04003 |




| | | |
|--------------------------|--------------------------|--------------------------|
| <input type="checkbox"/> | <input type="checkbox"/> | <input type="checkbox"/> |
| | | |
| Hard 5" Synthetic | Hard 5" Synthetic | Hard 5" Aluminum |
| Default | € 70 | € 155 |
| Art : 800 - 05001 | Art : 800 - 05002 | Art : 800 - 05003 |

| |
|--------------------------|
| <input type="checkbox"/> |
| |
| Soft 6" Synthetic |
| € 59 |
| Art : 800 - 06001 |



Anti-tip

| | | |
|--|--|--|
| <input type="checkbox"/> Left  Right <input type="checkbox"/> | <input type="checkbox"/> Left  Right <input type="checkbox"/> | <input type="checkbox"/> Left  Right <input type="checkbox"/> |
| Anti-tip height adjustable | Tip-assist (step tube) fixed (not in combination with 2 anti-tip wheels) | Crutch holder |
| € 165 | € 165 | € 123 |
| Art : 800 - 44000 | Art : 800 - 45000 | Art : 800-43000 |
| | | € 123 |
| | | € 112 |
| | | € 112 |
| | | Art : 800-43010 |
| | | Art : 800-43510 |



Side guard

| | | | |
|--|--|--|--|
| <input type="checkbox"/> Set  | <input type="checkbox"/> Set  | <input type="checkbox"/> Set  | <input type="checkbox"/> |
| Side guard, removable, no fender Only in combination with armrests | Side guard, fixed without fender, aluminum | Side guard, fixed with fender, carbon | Opening in Side guard fixed with fender, Carbon *Mandatory in combination with armrests |
| € 133 | € 133 | € 399 | € 123 |
| Art : 100 - 96030 | Art : 100 - 96040 | Art : 100 - 96010 | Art : 100 - 96061 |



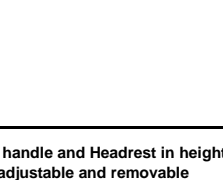

Armrests



| | |
|--|--|
| <input type="checkbox"/> Set  | <input type="checkbox"/> Set  |
| In height adjustable armrest, removable, angle fixed. Only when combined with Side guard fixed with fender, only carbon, the side guard will be adjusted. (additional cost) | In height adjustable armrest, removable, angle adjustable Only when combined with Side guard fixed with fender, only carbon, the side guard will be adjusted. (additional cost) |
| € 399 | € 511 |
| Art : 100 - 96110 | Art : 100 - 96170 |



Padding

| | | |
|--|---|---|
| <input type="checkbox"/> Links  Rechts <input type="checkbox"/> | <input type="checkbox"/> Links  Rechts <input type="checkbox"/> | <input type="checkbox"/> Links <input type="checkbox"/> Rechts <input type="checkbox"/> |
| Hemiplegie-arm cushioning (piece) | Arm cushioning long (piece) (Length as standard + 10cm) | Maatwerk |
| € 250 | € 250 | € 102 |
| Art : 100 - 96140 | Art : 100 - 96240 | Art : 100 - 96180 |
| | | € 102 |
| | | Art : 100 - 96280 |
| | | upon request |
| | | Art : 100 - 96130 |
| | | Art : 100 - 96230 |

Accessoires

| | | | |
|--|--|--|---|
| <input type="checkbox"/>  | <input type="checkbox"/>  | <input type="checkbox"/>  |  |
| Push handle, in height adjustable and removable | Headrest, in height adjustable and removable (Indicate measure A) | Push handle and Headrest in height adjustable and removable | |
| € 266 | € 266 | € 506 | |
| Art : 100 - 210 x x | Art : 100 - 230 x x | art.100-216 xx | A (cm) = |

| | |
|--|---|
| <input type="checkbox"/> 1 Piece  | <input type="checkbox"/> 2 Pieces  |
| Tension strap for back, adjustable, out of Seat-E-Lastica, 5 cm wide <i>Not mounted</i> | Tension strap for back, adjustable, out of Seat-E-Lastica, 10 cm wide <i>Not mounted</i> |
| € 80 | € 160 |
| Art : 100 - 46001 | Art : 100 - 46002 |
| | € 80 |
| | € 160 |
| | Art : 100 - 46011 |
| | Art : 100 - 46012 |

| | |
|--|--|
| <input type="checkbox"/>  | <input type="checkbox"/>  |
| Incontinence cover | Extra Seating cover |
| € 133 | € 133 |
| Art : 100 - 112 x x | Art : 100 - 111 x x |

| | | |
|--|--|--|
| <input type="checkbox"/> | <input type="checkbox"/> | <input type="checkbox"/> |
|  |  |  |
| Calf band | Safety belt | Purse under the seat |
| € 38 | € 102 | € 91 |
| Art : 800 - 01001 | Art : 800-01002 | Art : 800 - 01010 |

The wheelchair has been crash tested and complies with ISO 7176-19 for
Fill out the form completely and send it to. : +31 (0) 315 396 909 (fax) or mail to info@o4wheelchairs.com

All our deliveries are subject to the General Conditions for the Supply of Mechanical, Electrical and Electronic Products (Orgalime S2000)
as published by the Orgalime, The European Engineering Industries Association.

^{o4} Wheelchairs Markenweg 9, 7051 HS Varsseveld, The Netherlands Phone: +31 (0) 315 396 900 E: info@o4wheelchairs.com I: www.o4wheelchairs.com